

Tank Vent Valves (TVV) (ROV)

- Tank vent valves are designed to direct vapors generated during the diurnal cycle. Vent lines from TVV's generally run to carbon canisters. Properly installed, TVV's help protect canisters from liquid fuel.
- Perko TVV's are sometimes referred to as rollover valves (since they offer rollover protection) and as grade vent valves.
- Mounting options for tank mounted TVV's include flanged (for plastic tanks), threaded, welded or swivel (for metal tanks).
- Internally mounted versions are available for both plastic and metal tanks on a custom basis.

Technical Information

- For mounting on Plastic or Aluminum tanks
- Hose Connection: 5/16"
- Vent orifice: 0.075 inch (~1.9 mm)
- Air Flow Rate Positive Pressure @ 0°: 3.0 kPa ≥ 5 l/min & 15 kPa ≥ 10 l/min
- Reopening Pressure > Min 15 kPa
- Maximum fuel leakage is less than .4 cc/min 11.2 kPa



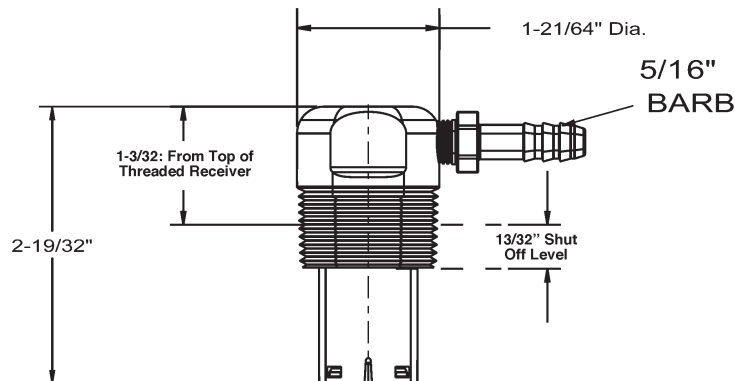
Fig. 0588T00 NPTF Threaded Tank Vent Valve (TVV)

CONSTRUCTION:

- Machined Aluminum
- Polymer Valve
- Mount with a 1" NPTF thread
- For mounting on metal tanks



Fig. 0588T00



Technical Information

Catalog No.	Length Inches	Width Inches	Projection Inches	Shut Off Height Inches	Hose Connection Inches	Mounting Hole Dia. Inches
0588T00	2-19/32	1-21/64	1-3/32	13/32	5/16"	1" NPTF

Ordering Information - OEM Bulk Pkg. 20 Pcs.

Catalog No.	Style	Collar	For Use on Tank Type	Angle/Port	Fire Test Capable	Shipping Weight Lbs.
0588T00	NPTF, Threaded	No	Aluminum	90°	Yes	4.1



FLANGED AND SWIVEL TANK VENT VALVES (TVV)



Fig. 0588F00 Flanged Tank Vent Valve (TVV)

CONSTRUCTION:

- Machined Aluminum
- Polymer Valve
- Matches the SAE 5-bolt level sender flange
- Gasket is not included
- For mounting on plastic tanks
- See page E-14 for more TVV information

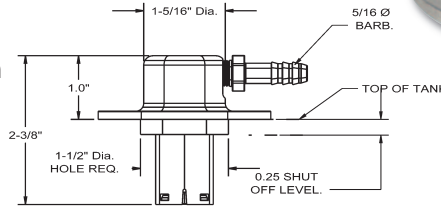


Fig. 0588F00

Technical Information

Catalog No.	Length Inches	Width Inches	Projection Inches	Shut Off Height Inches	Hose Connection Inches	Bolt Circle Inches	Mounting Hole Dia. Inches
0588F00	2-3/8	2-3/4	1	1/4	5/16"	2-1/8	1-1/2

Ordering Information - OEM Bulk Pkg. 20 Pcs.

Catalog No.	Style	Collar	For Use on Tank Type	Angle/Port	Fire Test Capable	Shipping Weight Lbs.
0588F00	Flanged	No	Plastic	90°	Yes	5.1

Fig. 0588S0A Swivel Tank Vent Valve for Aluminum Tanks (TVV)

CONSTRUCTION:

- Machined Aluminum
- Polymer Valve
- For mounting on metal tanks
- Includes valve, valve housing, o-rings, snap ring and tank insert

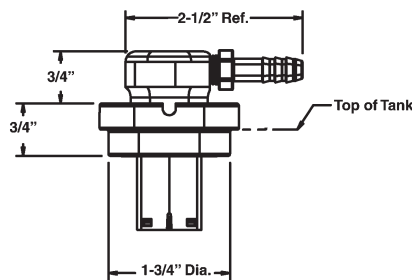


Fig. 0588S0A



Technical Information

Catalog No.	Length Inches	Width Inches	Projection Inches	Shut Off Height Inches	Hose Connection Inches	Mounting Hole Dia. Inches
0588S0A	2-9/16	2	1-1/8	3/8	5/16"	1-3/4"

Ordering Information - OEM Bulk Pkg. 20 Pcs.

Catalog No.	Style	Collar	For Use on Tank Type	Angle/Port	Fire Test Capable	Shipping Weight Lbs.
0588S0A	Swivel	Yes	Aluminum	90°	Yes	5.8